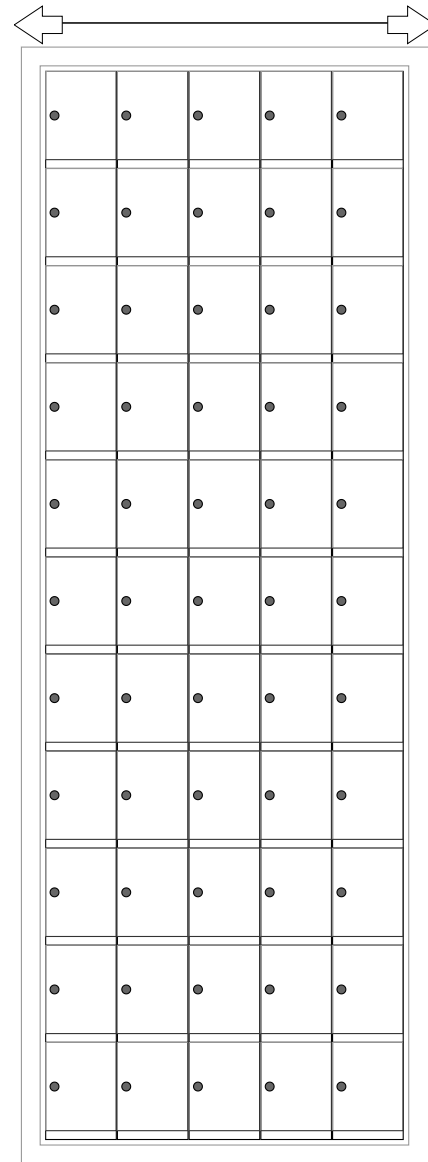


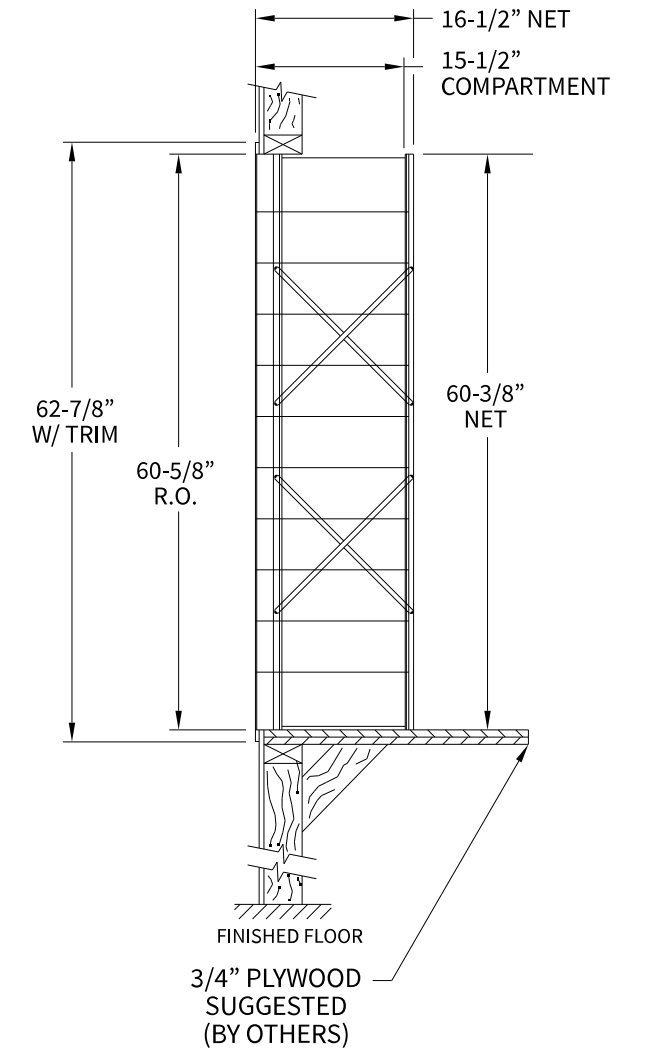
1700115 Dimensions

Overall Width w/ Trim: 24-3/8"
(Rough Opening: 22-1/8")



1700115

Side View



Configuration Details:

- 1. **Product Type:** 1700 Horizontal
- 2. **Installation:** Rear-load, Recessed Mount
- 3. **Finish:** Anodized Aluminum
- 4. **Locks:** Standard Cam Lock, 2 keys
- 5. **Door Id:** tbd
- 6. **Rear Cover:** tbd

Matching standard snap-on trim included

Models Used:

(1) 1700115

DO NOT SCALE OFF DRAWING

Door Sizes Used:

(55) 1700 1x1 Compartment

ELEVATION: 1700115 | **MAILBOXES:** 55 |

PROJECT NAME: 1700 Series Mailbox | **DRAWN BY:** FLORENCE

AF FLORENCE
manufacturing company

5935 Corporate Drive • Manhattan, KS 66503
www.florencemailboxes.com • 800.275.1747

A GIBRALTAR INDUSTRIES COMPANY

DATE: 01-15-2016 | **P.O. NO:**

SCALE: NONE | **QUOTE NO:**

DRAWING NO. WEB-1932 | **SHEET 1 OF 1**